



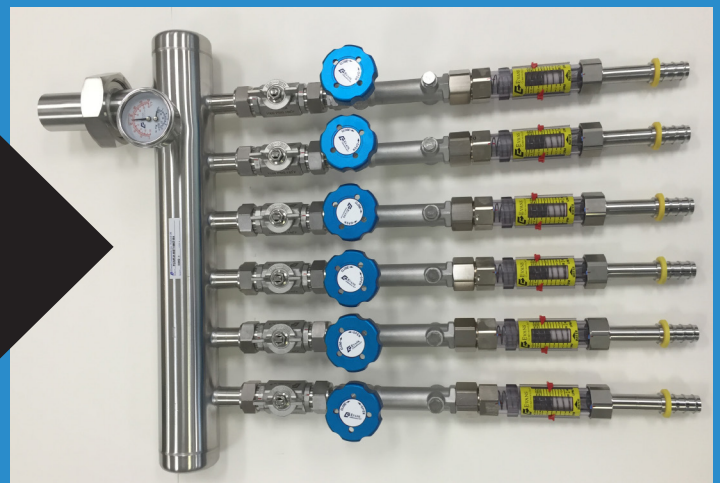
Evans PW Series

1/2" thru 4" PCWS/R Hook-Up Sticks



Evans Custom Water Stick

Supply and Return Manifolds



Advantages of Evans PW Sticks

- Standard design with union end connections/fitting options
- Standard longer lengths with approximately 26" clearance for ease of mounting under raised floor or sub-fab utility rails
- PWEA® treatment of PCWS regulator option
- Larger 3.5" Bidicator (pressure/temperature) gauge, improved scale and readability
- Standard locking handles for both ball valve and globe valves



Evans PWEA Treated Regulator



Before Treatment



After Treatment

- Evans Components proprietary wetted surface treatment PWEA® to prevent stress corrosion cracking for PCW applications. The PWEA® treatment is ideally suited for demanding PCW applications with resistivity levels up to 10 MΩ.
- Through the process of continuous product improvement, Evans Components began treating all PW Series regulators with the PWEA® treatment. This new process eliminates the potential dezincification of brass wetted internals which in some cases has caused leakage around the stem/poppet due to stress corrosion cracking.
- The PWEA® treatment is an electrodeposited intermetallic alloy which substitutes the classic electrolytic nickel chrome deposit. The name of this process is PWEA®, it complies with limits stated by international standards on drinkable water standards which include:
 - NSF 61 section 8
 - NSF 4, UNI 10531 and UNI 11460
- This process is stable to ordinary temperature with Vickers hardness of about 400 D.P.H. The absence of porosity in this alloy guarantees the resistance to corrosion and a long term polished effect in an equal way to nickel and chromium deposits with same thickness, with the advantage of being chemically inert.

Evans Integrated Pressure / Temperature Gauge

"Bi-Dicator" 0-160psig / 0-140° F



Advantages of Evans Bi-dicator

- **New larger 3.5" dial, pressure/temperature scale increments/readability greatly improved**
- Replaces individual pressure and temperature gauges with one
- Lower cost
- Fewer potential leak points
- Reduce overall footprint for tool hook-up
- Stainless connection, stem and wetted internals

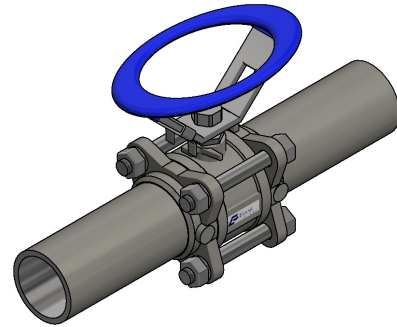
Specifications: Evans PW Stick

Temperature Rating: 10F(-12C) to 208F (98C)

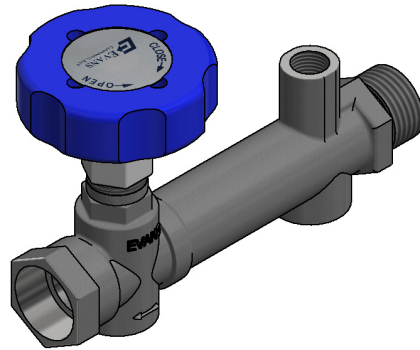
Pressure Rating: 160 psig (11 bar) @ 70F (21C)

Regulator Outlet Range: 10 psig (.5bar) to 110 psig (7.6 bar)

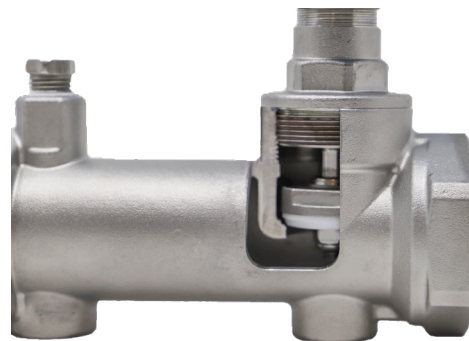
Evans Ball Valve CV	
SIZE	CV (valve fully open)
1/2"	19
3/4"	35
1"	50
1.5"	200
2"	350
2.5"	831
3"	1320



Evans Globe Valve CV	
SIZE	CV (valve fully open)
1/2"	2.17
3/4"	3.51
1"	6.50
1.5"	17.43
2"	25.67
2.5"	58.00
3"	80.00

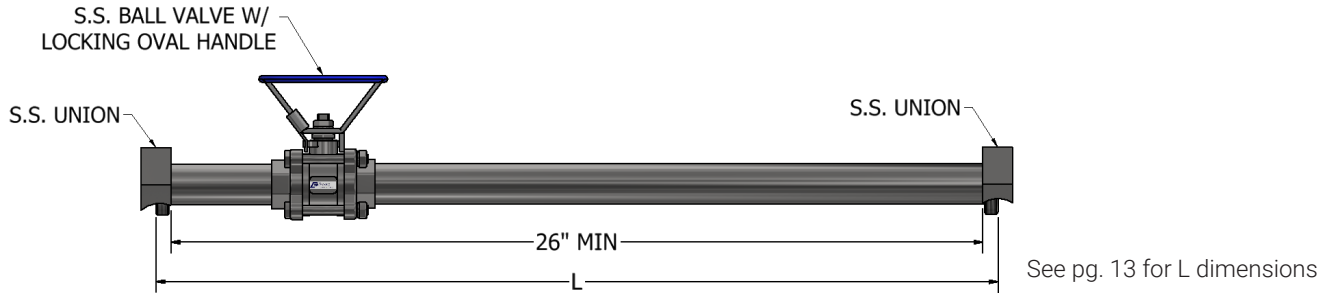


PW Series Globe Valves are designed with a "soft seat PTFE" stem design which provides superior bubble tight shut-off vs. metal seated commercial grade globe valves.

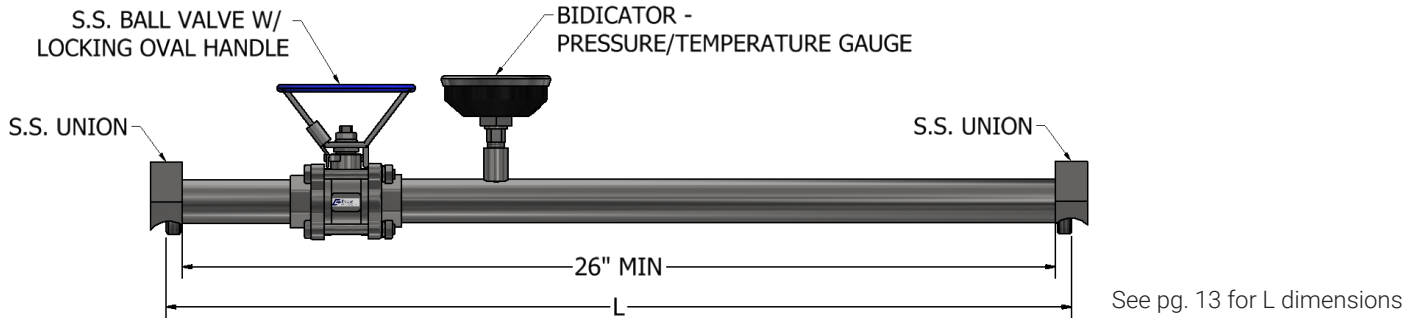


Supply Stick Diagrams

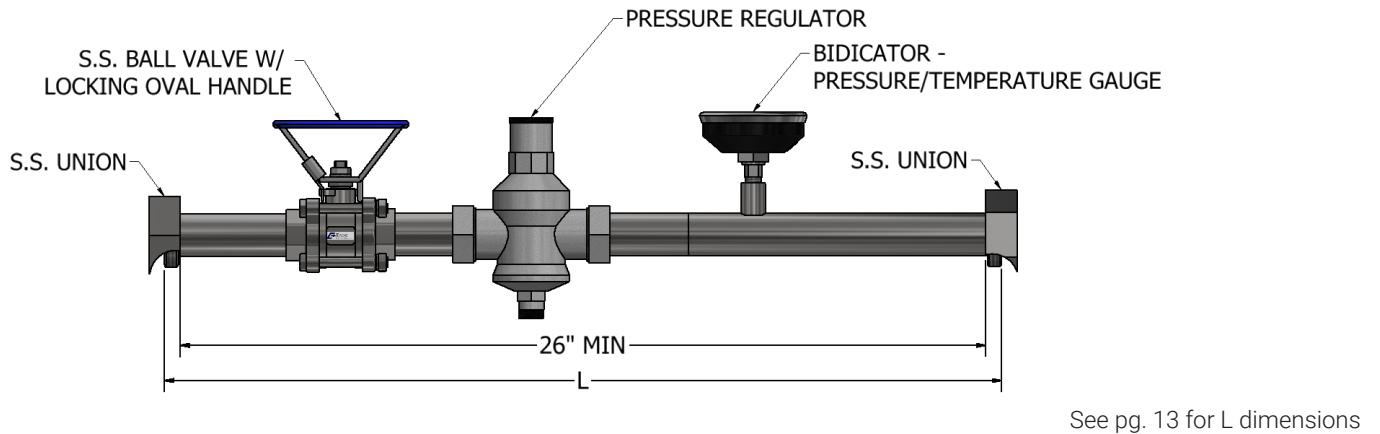
PW-**-STRRA-RA-IN-OH



PW-**-STRRA-RA-PT-IN-OH

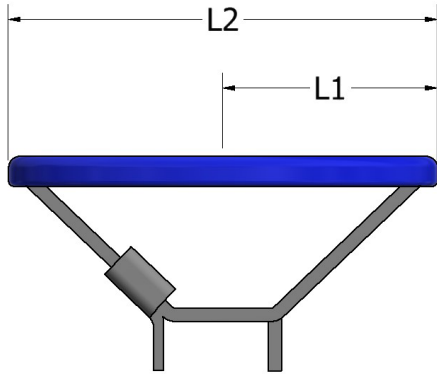


PW-**-STRRA-VERA-PT-IN-OH



Oval Handle Dimensions

**Standard with lockout feature*



SIZE	STYLE	LENGTH (IN/mm)	
		L1	L2
1/2"	OVAL	3.5 88.9	1.75 44.5
3/4"	OVAL	3.5 88.9	1.75 44.5
1"	OVAL	4.2 106.7	2.1 53.3
1.5"	OVAL	5.6 142.2	2.8 71.1
2"	OVAL	5.6 142.2	2.8 71.1
2.5"	OVAL	11.00 279.4	5.5 139.7
3"	OVAL	11.00 279.4	5.5 139.7

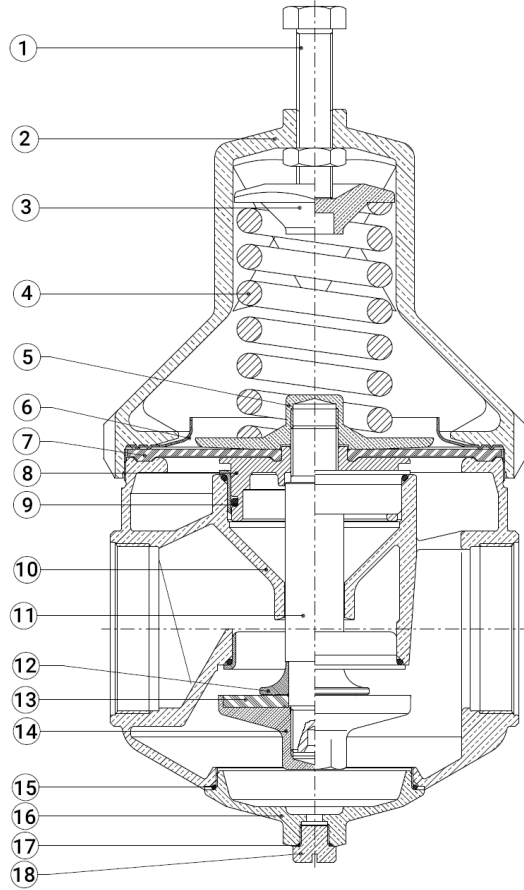
Globe Valve Handle

Lockout feature with tie-wrap /cable holes for lock-out



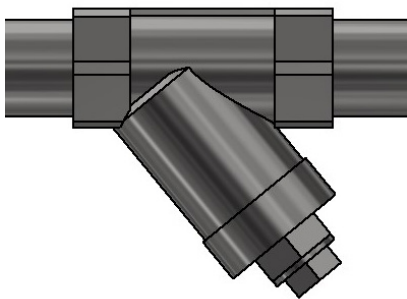
SIZE	ØD
1/2"	2.6 66.0
3/4"	2.6 66.0
1"	2.6 66.0
1.5"	3.54 90
2"	3.54 90
2.5"	3.54 90
3"	3.54 90

Evans PW Series Regulator



REGULATOR BILL OF MATERIALS	
ITEM	DESCRIPTION
1	CALIBRATION BOLT & NUT KIT
2	SPRING HOUSING
3	PRV SPRING CALIBRATION PLUG
4	PRV SPRING
5	PRV PLATE
6	PRV STAINLESS STEEL FIXING DIAPHRAGM
7	PRV DIAPHRAGM
8	PISTON
9	PISTON O-RING
10	PRV BODY KIT + SS SEATS
11	PRV STEM
12	DISK FIXING RIG
13	RUBBER DISK
14	PRV OBTURATOR
15	PRESSURE GAUGE MOUNTING CAP O-RING
16	PRESSURE GAUGE MOUNTING CAP
17	O-RING CAP
18	PRV CAP

Optional Y-Strainer

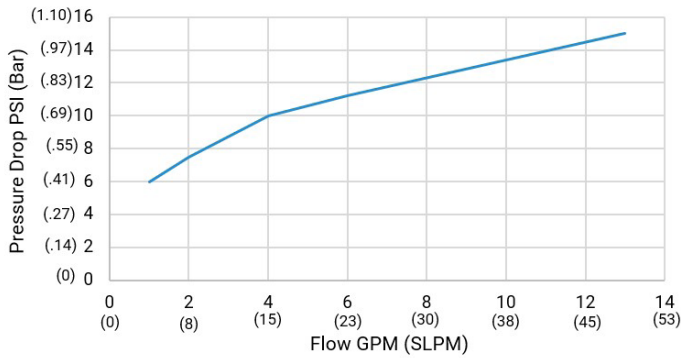


Y-STRAINER MESH OPTIONS	
20 MESH	841 Microns
100 MESH	149 Microns

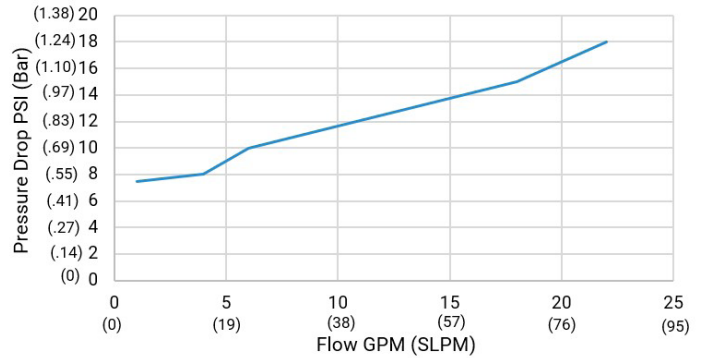
PRV Performance Curve

Inlet Pressure 115 PSIG @ 70F, outlet set pressure 45 PSIG

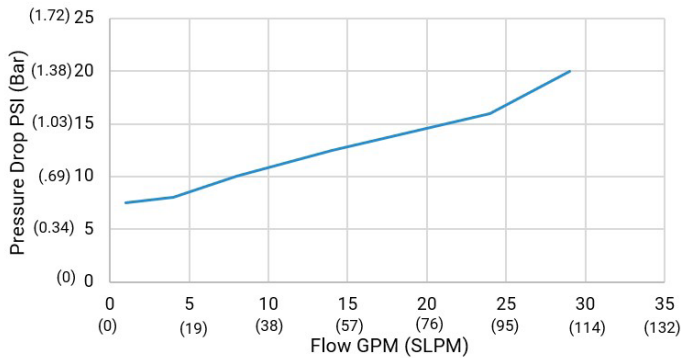
1/2" Evans Standard Regulator



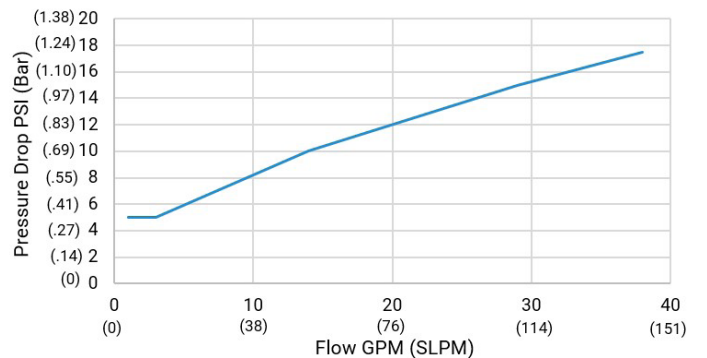
3/4" Evans Standard Regulator (1/2" HF High Flow)



1" Evans Standard Regulator (3/4" HF High Flow)



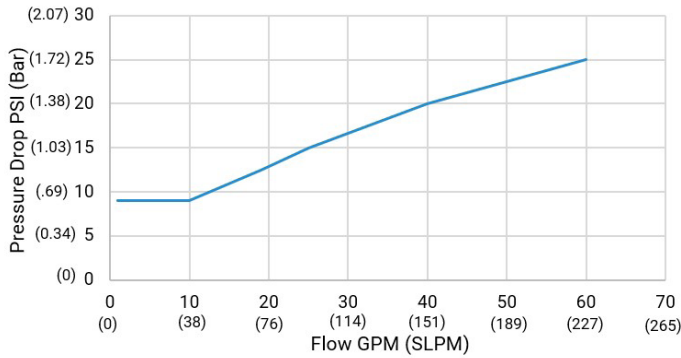
1.5" Evans Standard Regulator (1" HF High Flow)



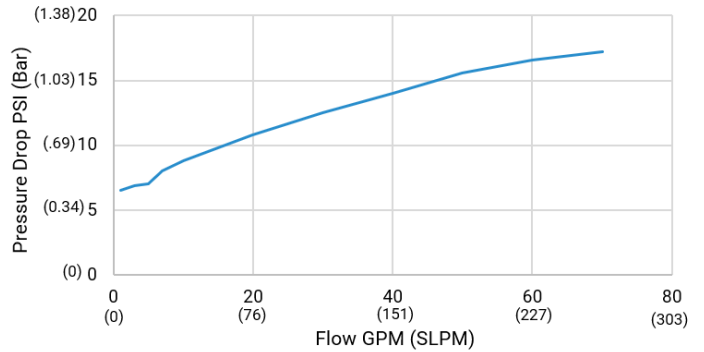
PRV Performance Curve

Inlet Pressure 115 PSIG @ 70F, outlet set pressure 45 PSIG

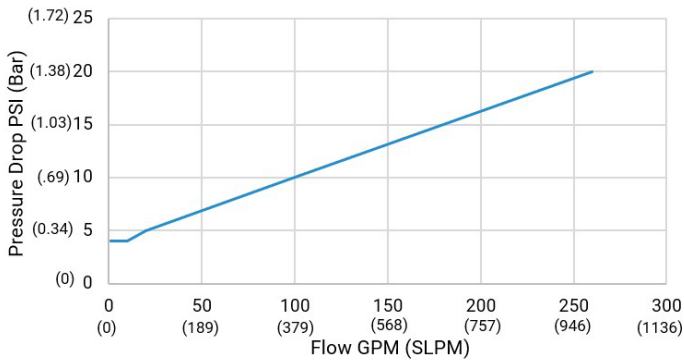
2" Evans Standard Regulator (1.5" HF High Flow)



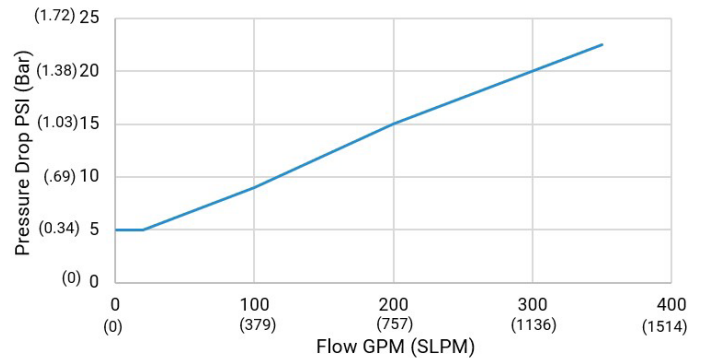
2" Evans High Flow Regulator



2.5" Evans Standard Regulator



3" Evans Standard Regulator (2.5" HF High Flow)

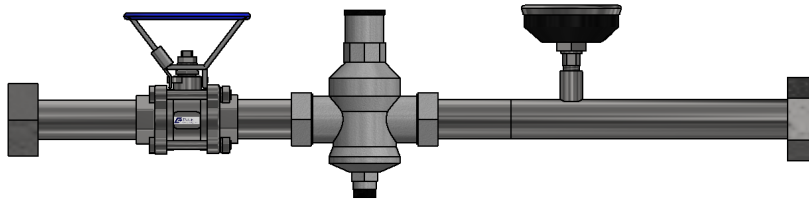


Evans PW Series

PCW-SUPPLY Part Number Matrix

EXAMPLE: PW - 16 - STR RA - VE ** RA - PT - IN - OH
 1 - 2 - 3 4 - 5 6 7 - 8 - 9 - 10

1" PW Series supply stick w/ ball valve, 1" Union Inlet, Regulator, 1" Union outlet, Bidicator, 26" Clamping Length, Oval Handler



1. Series Designator

PW - PW Series

2. Stick/Valve Size

08 - 1/2"	24 - 1.5"	48 - 3"
12 - 3/4"	32 - 2"	
16 - 1"	40 - 2-1/2"	

3. First Component

STR - SS Ball Valve

4. Inlet Connection Type

RA - Standard SS Union w/ Nut (See pg 17-19 for connections)
 A - Large SS Union w/ Nut (For 1.5" & 2" PVC/CPVC connections)
 HB - SS Hose Barb

*NOTE: PVC adapters will not work on 1.5" & 2" sticks with RA Union ends, Use A designator for 1.5" & 2" sizes.

5. Additional Components (Optional)

VE - Standard Regulator
 VEHF - High flow regulator (see regulator performance curve)
 20M - Y Strainer (20 Mesh)
 100M - Y Strainer (100 Mesh)

6. Outlet Connection Size (if differs from Stick /Inlet Size)

08 - 1/2"	24 - 1.5"	48 - 3"
12 - 3/4"	32 - 2"	
16 - 1"	40 - 2-1/2"	

7. Outlet Connection Type

RA - Standard SS Union w/ Nut (See pg 17-19 for connections)
 A - Large SS Union w/ Nut (For 1.5" & 2" PVC/CPVC connections)
 HB - SS Hose Barb
 *NOTE: PVC adapters will not work on 1.5" & 2" sticks with RA Union ends, Use A designator for 1.5" & 2" sizes.

8. Pressure/Temperature Gauge (Optional)

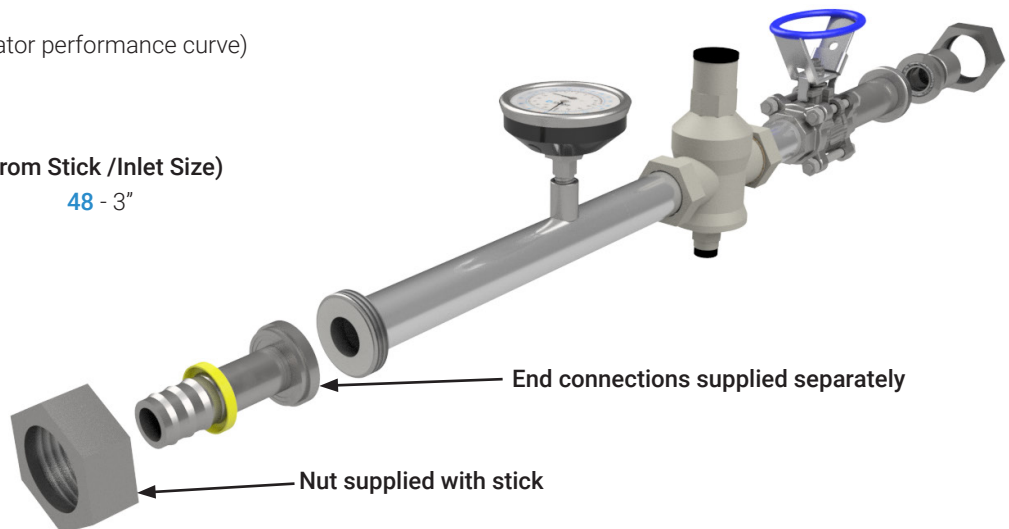
PT - Bidicator 0 - 160psi (0 - 11bar), 0 - 140F (-20 - 60C)
 GP - Plugged Gauge Port (upstream of Regulator)
 G100N - 0 - 100psi gauge (0 - 11bar)
 G160N - 0 - 160psi gauge (0 - 7bar)

9. Length Designator (Optional)

IN - 26" Minimum Clamping Length

10. Oval Handle on Ball Valve (Optional)

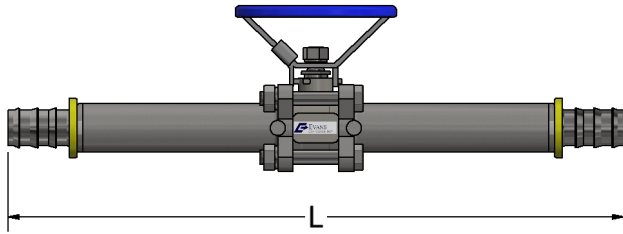
OH - Oval Handle



Short Valve Options/Dimensions

Evans Ball Valve

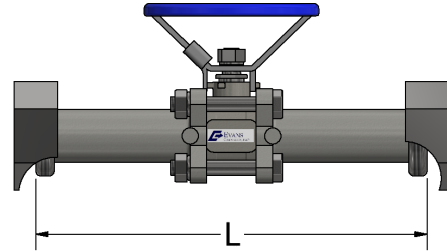
w/ Hose Barb Ends



PART NUMBER	SIZE	L
PW-08-STRHB-2-TS-OH	1/2"	8.52
PW-12-STRHB-2-TS-OH	3/4"	13.36
PW-16-STRHB-2-TS-OH	1"	12.06

Evans Ball Valve

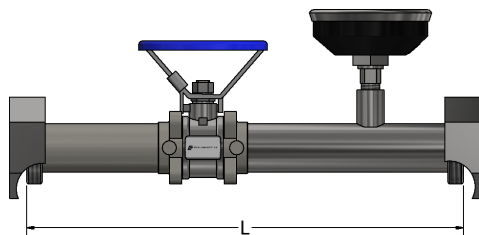
w/ Union Ends



PART NUMBER	SIZE	L
PW-08-STRA-2-TS-OH	1/2"	6.81
PW-12-STRA-2-TS-OH	3/4"	7.83
PW-16-STRA-2-TS-OH	1"	9.60
PW-24-STRRA-2-TS-OH	1.5"	11.87
PW-32-STRRA-2-TS-OH	2"	12.38

Evans Ball Valve

w/ Union Ends, Bidicator

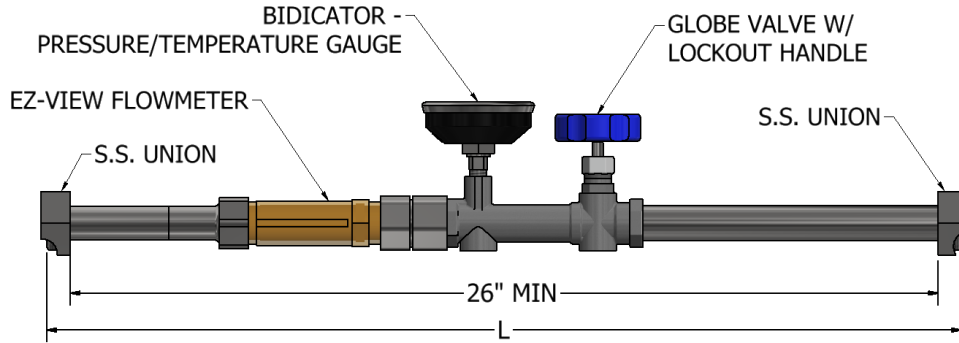


PART NUMBER	SIZE	L
PW-08-STRA-2-TS-PT-OH	1/2"	10.27
PW-12-STRA-2-TS-PT-OH	3/4"	10.89
PW-16-STRA-2-TS-PT-OH	1"	11.89
PW-24-STRRA-2-TS-PT-OH	1.5"	13.69
PW-32-STRRA-2-TS-PT-OH	2"	14.47

Return Stick Diagrams

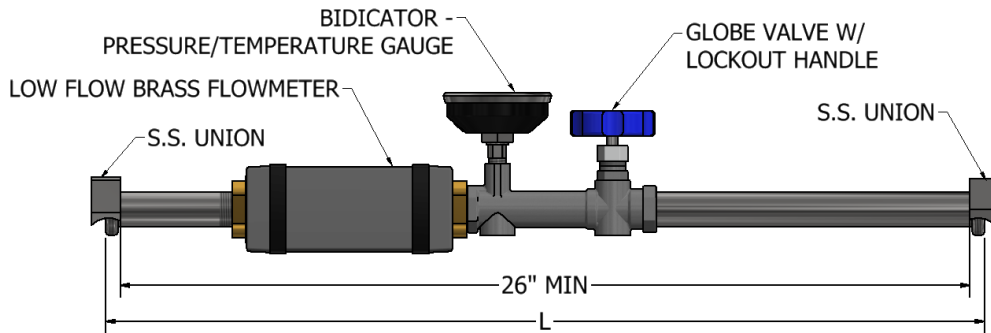
PW-**-SEZMRA-GVRA-P*-PT-IN

See pg. 13 for L dimensions



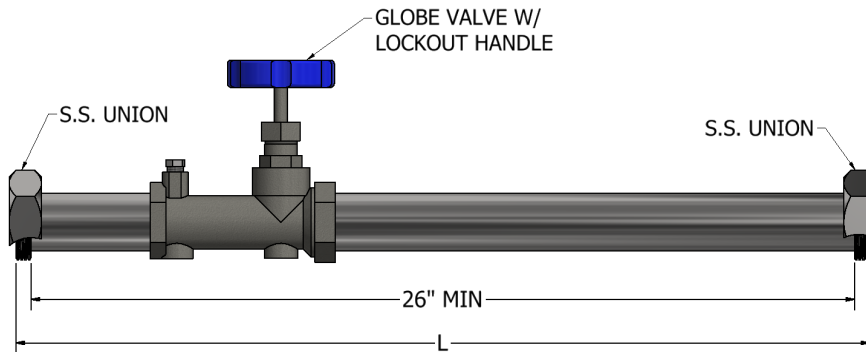
PW-**-BFMRA-GVRA-F*-PT-IN

See pg. 13 for L dimensions



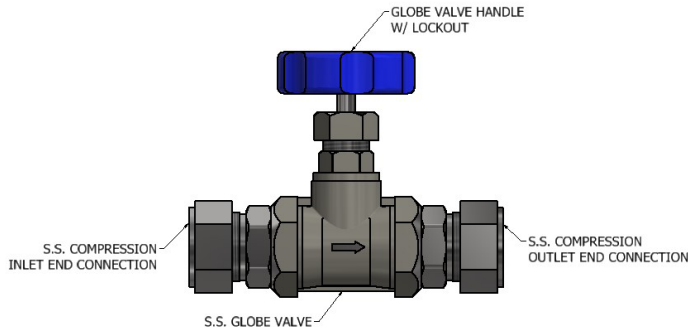
PW-**-GVRA-RA-IN

See pg. 13 for L dimensions



Globe Valve w/ Compression Ends

PW-**GV200-C



Evans Globe Valve w/ Compression Ends	
SIZE	PART #
1/2"	PW-08GV200-C
3/4"	PW-12GV200-C
1"	PW-16GV200-C

PW Stick Dimensions

Part Number SUPPLY	DIMENSION "L"						
	1/2"	3/4"	1"	1.5"	2"	2.5"	3"
PW-**-STRRA-RA-OH	C/F	C/F	C/F	C/F	C/F	C/F	C/F
PW-**-STRRA-RA-PT-IN-OH	C/F	C/F	C/F	C/F	C/F	C/F	C/F
PW-**-STRRA-VERA-PT-IN-OH	C/F	C/F	C/F	C/F	C/F	C/F	C/F

Part Number RETURN	DIMENSION "L"						
	1/2"	3/4"	1"	1.5"	2"	2.5"	3"
PW-**-SEZMRA-GVRA-P*-PT-IN	C/F	C/F	C/F	C/F	C/F	C/F	C/F
PW-**-BFMRA-GVRA-F*-PT-IN	C/F	C/F	C/F	C/F	C/F	C/F	C/F
PW-**-GVRA-RA	C/F	C/F	C/F	C/F	C/F	C/F	C/F

EZ-View Flow Meter (SEZM)

- 1/2" thru 3" Sticks
- EZ to Install, in any position (vertical or horizontal)
- Direct reading indication
- Accuracy within +5% full scale

Materials:

- Polysulfone plastic body, piston and cone.
- T300-series stainless spring.
- Buna N flow indicator ring and pressure seals.
- Polypropylene limit indicators.
- PH15-7MO stainless retaining ring.

Temperature/Pressure Range:

- Pressure Rating: Liquid: 325 psi/ 22.4 bar maximum
- Pressure Drop: See Differential Charts
- Temperature Range: +32° F to 250° F (0°C to 121°C)
- Accuracy: +5% of Full Scale
- Repeatability; +1%

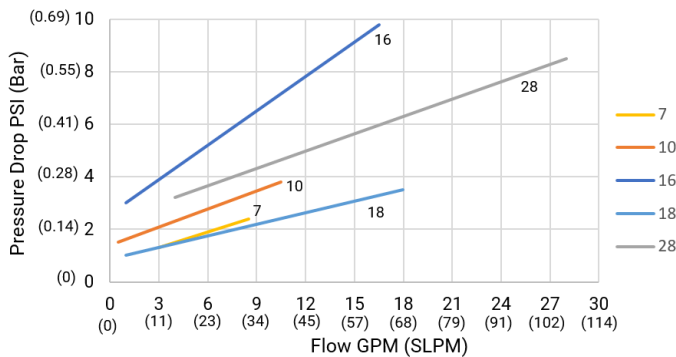


1/2" - 1" Sizes:

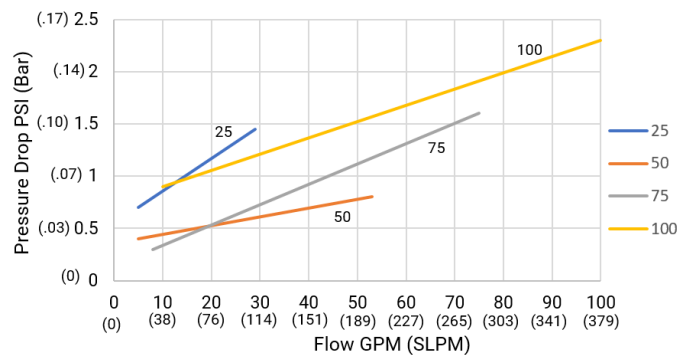


1.5" - 3" Sizes:

EVANS 0.5" - 1" WATER METERS



EVANS 1.5" - 2" WATER METERS

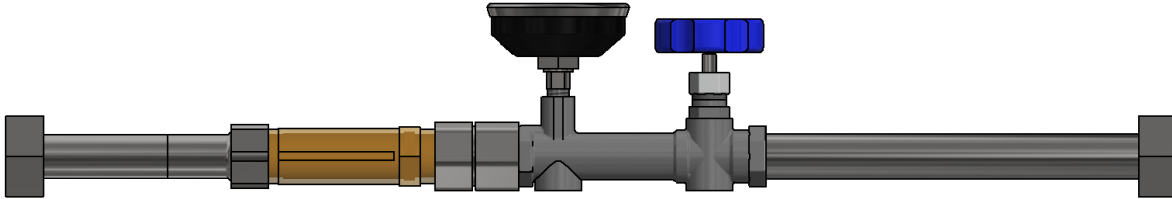


Evans PW Series

PCW-RETURN Part Number Matrix

EXAMPLE: PW - 16 - SEZM RA - GV RA - P14 - PT - IN
1 - 2 - 3 4 - 5 6 - 7/8 - 9 - 10

1" PW series return stick w/ 3-18 GPM EZ-view flowmeter, 1" Union inlet, globe valve, 1" Union outlet, bidicator



1. Series Designator

PW - PW Series

2. Stick Size / Connection Size

08 - 1/2"	24 - 1.5"	48 - 3"
12 - 3/4"	32 - 2"	
16 - 1"	40 - 2-1/2"	

3. First Component

(skip this designator if no flow meter required)

SEZM - Plastic Flow Meter w/Stainless Steel Ends

BFM - Brass Flow Meter (low flow applications)

VFM - Vertical Flow Meter (see page 16 for flow ranges)

4. Inlet Connection Type

RA - Standard SS Union w/ Nut (See pg 17-19 for connections)

A - Large SS Union w/ Nut (For 1.5" & 2" PVC/CPVC connections)

HB - SS Hose Barb

***NOTE:** PVC adapters will not work on 1.5" & 2" sticks with RA Union ends, Use A designator for 1.5" & 2" sizes.

5. Additional Components (Optional)

GV - SS Globe Valve

STR - SS Ball Valve

6. Outlet Connection Type

RA - Standard SS Union w/ Nut (See pg 17-19 for connections)

A - Large SS Union w/ Nut (For 1.5" & 2" PVC/CPVC connections)

HB - SS Hose Barb

***NOTE:** PVC adapters will not work on 1.5" & 2" sticks with RA Union ends, Use A designator for 1.5" & 2" sizes.

7. Flow Range Polysulfone Flow Meter (stainless connection)

P1: 1/2"	0.5-4 GPM / 2-15 LPM	P14: 1"	3-18 GPM / 11-68 LPM
P2: 1/2"	1-7 GPM / 4-26 LPM	P15: 1"	4-28 GPM / 15-106 LPM
P3: 1/2"	1-10 GPM / 4-38 LPM	P18: 1.5"	2-25 GPM / 8-95 LPM
P4: 1/2"	1-16 GPM / 4-61 LPM	P19: 1.5"	5-50 GPM / 19-189 LPM
P5: 3/4"	0.5-4 GPM / 2-15 LPM	P20: 1.5"	7-75 GPM / 26-284 LPM
P6: 3/4"	1-7 GPM / 4-26 LPM	P21: 1.5"	10-100 GPM / 38-378 LPM
P7: 3/4"	1-10 GPM / 4-38 LPM	P22: 2"	2-25 GPM / 8-95 LPM
P8: 3/4"	3-18 GPM / 11-68 LPM	P23: 2"	5-50 GPM / 19-189 LPM
P9: 3/4"	4-28 GPM / 15-106 LPM	P24: 2"	7-75 GPM / 26-284 LPM
P10: 1"	0.5-4 GPM / 2-15 LPM	P25: 2"	10-100 GPM / 38-378 LPM
P11: 1"	1-7 GPM / 4-26 LPM	P26: 2.5"	20-200 GPM / 75-757 LPM
P13: 1"	1-10 GPM / 4-38 LPM	P27: 3"	20-200 GPM / 75-757 LPM
		P28: 3"	27-275 GPM / 102-1040 LPM

8. Low Flow Range Brass Flow Meter (Optional)

F1: 1/2" 0.1-1 GPM / 0.4-4 LPM

F2: 1/2" 0.2-2 GPM / 0.8-8 LPM

9. Pressure/Temperature Gauge (Optional)

PT - Bidicator 0 - 160psi (0 - 11bar), 0 - 140F (-20 - 60C)

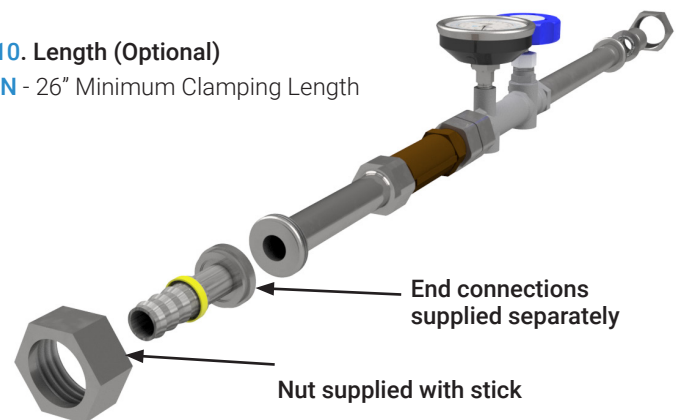
GP - Plugged Gauge Port

G100N - 0 - 100psi gauge (0 - 11bar)

G160N - 0 - 160psi gauge (0 - 7bar)

10. Length (Optional)

IN - 26" Minimum Clamping Length

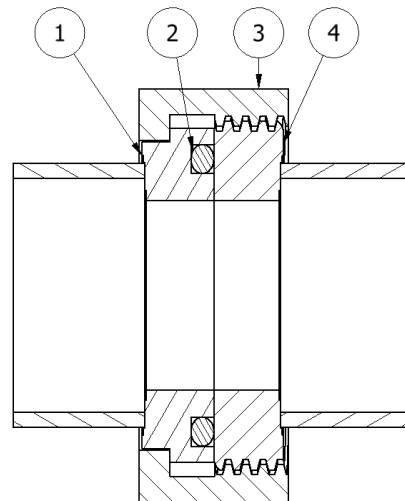
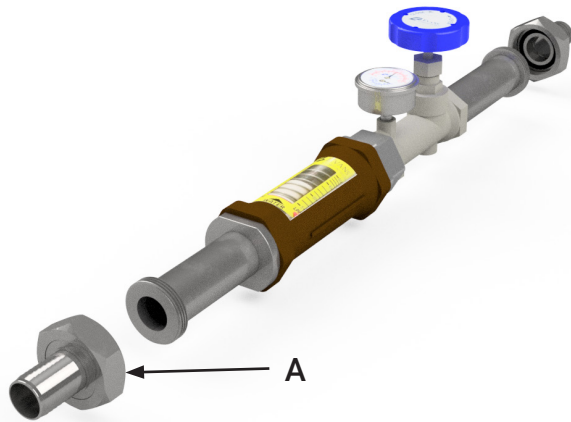


Vertical *only* Flow Meters



Part Number Designator	Size	Flow Range
V3	1/2"	.5 - 5 GPM / (2 - 18 LPM)
V4	1/2"	1 - 10 GPM / (4 - 38 LPM)
V7	3/4"	1 - 10 GPM / (4 - 38 LPM)
V8	3/4"	2 - 20 GPM / (8 - 76 LPM)
V13	1"	1 - 10 GPM / (4 - 38 LPM)
V14	1"	2 - 20 GPM / (8 - 76 LPM)
V15	1"	3 - 30 GPM / (12 - 115 LPM)
V16	1"	4 - 40 GPM / (15 - 155 LPM)
V18	1.5"	3 - 30 GPM / (12 - 115 LPM)
V19	1.5"	4 - 40 GPM / (15 - 155 LPM)

PW Stick Union Adapters



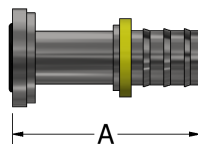
A: Female nuts come supplied with sticks, fittings to be ordered separately

Water Stick Fittings *End connection fittings on this page to be ordered separately for PCWS/R sticks supplied with union end connections.

ITEM	DESCRIPTION	MATERIAL
1	WAFER	304 S.S.
2	O-RING	EPDM
3	NUT	304 S.S.
4	THREADED WAFER	304 S.S.

PW Stick Hose Barb Union Adapters

304SS HOSE BARB x SS O-Ring Wafer

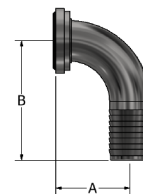


Part Number	HB Size	WAFER SIZE	DIM "A"
PW-04HB-08OW	1/4"	1/2"	C/F
PW-06HB-08OW	3/8"	1/2"	C/F
PW-06HB-12OW	3/8"	3/4"	C/F
PW-08HB-OW	1/2"	1/2"	2.54
PW-08HB-12OW	1/2"	3/4"	C/F
PW-08HB-16OW	1/2"	1"	C/F
PW-12HB-08OW	3/4"	1/2"	C/F
PW-12HB-OW	3/4"	3/4"	2.98
PW-12HB-16OW	3/4"	1"	C/F
PW-12HB-20OW	3/4"	1.5" RA	C/F
PW-16HB-12OW	1"	3/4"	C/F
PW-16HB-OW	1"	1"	3.53
PW-16HB-20OW	1"	1.5" RA	C/F
PW-16HB-28OW	1"	2" RA	C/F
PW-24HB-16OW	1.5"	1"	C/F
PW-24HB-20OW	1.5"	1.5" RA	2.7"
PW-24HB-OW	1.5"	1.5" A	C/F
PW-24HB-28OW	1.5"	2" RA	C/F
PW-32HB-20OW	2"	1.5" RA	C/F
PW-32HB-28OW	2"	2" RA	2.9"
PW-32HB-OW	2"	2" A	C/F

1/4"-1" hose barb designed for push-lok style hose, no clamp required

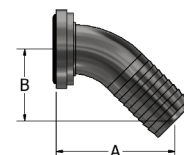
1.5"-3" hose barb designed for king nipple style hose, clamps required (king nipple style hose barbs available for 1/4"-1" upon request)

304SS HOSE BARB ELBOW x SS O-Ring Wafer



PART NUMBER	HB Size	WAFER SIZE	DIM "A"	DIM "B"
PW-08HB-ET-OW	1/2"	1/2"	C/F	C/F
PW-12HB-ET-OW	3/4"	3/4"	C/F	C/F
PW-16HB-ET-OW	1"	1"	C/F	C/F
PW-24HB-ET-20OW	1.5"	1.5" RA	2.7"	C/F
PW-24HB-ET-OW	1.5"	1.5" A	C/F	C/F
PW-32HB-ET-28OW	2"	2" RA	3.4"	C/F
PW-32HB-ET-OW	2"	2" A	C/F	C/F

304SS HOSE BARB 45° ELBOW x SS O-Ring Wafer



PART NUMBER	HB Size	WAFER SIZE	DIM "A"	DIM "B"
PW-08HB-ET45-OW	1/2"	1/2"	C/F	C/F
PW-12HB-ET45-OW	3/4"	3/4"	C/F	C/F
PW-16HB-ET45-OW	1"	1"	C/F	C/F
PW-24HB-ET45-20OW	1.5"	1.5" RA	C/F	C/F
PW-24HB-ET45-OW	1.5"	1.5" A	C/F	C/F
PW-32HB-ET45-28OW	2"	2" RA	C/F	C/F
PW-32HB-ET45-OW	2"	2" A	C/F	C/F

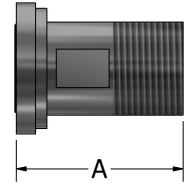
PW Stick Union Adapters

304SS FNPT FTG x SS O-Ring Wafer



Part Number	FNPT Size	WAFER SIZE	DIM "A"
PW-08F-OW	1/2"	1/2"	1.09
PW-12F-OW	3/4"	3/4"	1.97
PW-16F-OW	1"	1"	2.16
PW-24F-200W	1.5"	1.5" RA	2.24
PW-24F-OW	1.5"	1.5" A	C/F
PW-32F-280W	2"	2" RA	2.19
PW-32F-OW	2"	2" A	C/F
PW-40F-OW	2.5"	2.5"	C/F
PW-48F-OW	3"	3"	C/F

304SS MNPT FTG x SS O-Ring Wafer



Part Number	MNPT Size	WAFER SIZE	DIM "A"
PW-08M-OW	1/2"	1/2"	2.35
PW-12M-OW	3/4"	3/4"	2.34
PW-16M-OW	1"	1"	2.35
PW-24M-200W	1.5"	1.5" RA	2.59
PW-24M-OW	1.5"	1.5" A	C/F
PW-32F-280W	2"	2" RA	2.94
PW-32F-OW	2"	2" A	C/F
PW-40M-OW	2.5"	2.5"	C/F
PW-48M-OW	3"	3"	C/F

PVC/CPVC PIPE SOCKET x O-Ring Wafer

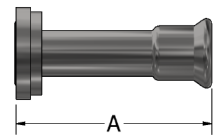


Part Number	PVC Size	WAFER SIZE	DIM "A"
PW-08**	1/2"	1/2"	C/F
PW-12**	3/4"	3/4"	C/F
PW-16**	1"	1"	C/F
PW-24** ^{RG}	1.5"	1.5" A	C/F
PW-32** ^{RG}	2"	2" A	C/F
PW-40**	2.5"	2.5"	C/F
PW-48**	3"	3"	C/F

**PS -- PVC Schedule 80 Pipe Socket

**CS -- CPVC Schedule 80 Pipe Socket

304SS PRESSLOK x SS O-Ring Wafer



Part Number	Presslok Size	WAFER SIZE	DIM "A"
PW-08PL*-OW	1/2"	1/2"	C/F
PW-12PL*-OW	3/4"	3/4"	3.17
PW-16PL*-OW	1"	1"	C/F
PW-24PL*-200W	1.5"	1.5" RA	C/F
PW-24PL*-OW	1.5"	1.5" A	C/F
PW-32PL*-280W	2"	2" RA	C/F
PW-32PL*-OW	2"	2" A	C/F
PW-40PL*-OW	2.5"	2.5"	C/F
PW-48PL*-OW	3"	3"	C/F
PW-64PL*-480W	4"	3"	C/F

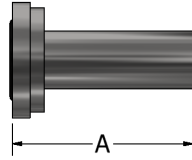
* Insert: Preferred O-ring Material

V - Viton

E - EPDM

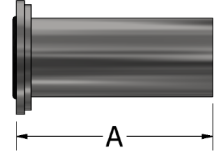
PW Stick Union Adapters

304SS TUBE x SS O-Ring Wafer



Part Number	Tube Size	WAFER SIZE	DIM "A"
PW-08T-OW	1/2"	1/2"	C/F
PW-12T-OW	3/4"	3/4"	2.35
PW-16T-OW	1"	1"	C/F
PW-24T-200W	1.5"	1.5" RA	1.99
PW-24T-OW	1.5"	1.5" A	C/F
PW-32T-280W	2"	2" RA	2.93
PW-32T-OW	2"	2" A	C/F
PW-40T-OW	2.5"	2.5"	C/F
PW-48T-OW	3"	3"	C/F

SCH10S S.S. PIPE x SS O-Ring Wafer



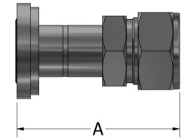
Part Number	Pipe Size	WAFER SIZE	DIM "A"
PW-08G-OW	1/2"	1/2"	C/F
PW-12G-OW	3/4"	3/4"	C/F
PW-16G-OW	1"	1"	C/F
PW-24G-200W	1.5"	1.5" RA	C/F
PW-24G-OW	1.5"	1.5" A	C/F
PW-32G-280W	2"	2" RA	C/F
PW-32G-OW	2"	2" A	C/F
PW-40G-OW	2.5"	2.5"	C/F
PW-48G-OW	3"	3"	C/F

304SS PIPE SOCKET x SS O-Ring Wafer



Part Number	Pipe Socket Size	WAFER SIZE	DIM "A"
PW-08E-OW	1/2"	1/2"	C/F
PW-12E-OW	3/4"	3/4"	C/F
PW-16E-OW	1"	1"	C/F
PW-24E-200W	1.5"	1.5" RA	C/F
PW-24E-OW	1.5"	1.5" A	C/F
PW-32E-280W	2"	2" RA	C/F
PW-32E-OW	2"	2" A	C/F

316SS COMPRESSION x SS O-Ring Wafer



Part Number	Presslok Size	WAFER SIZE	DIM "A"
PW-08C-OW	1/2"	1/2"	C/F
PW-12C-OW	3/4"	3/4"	C/F
PW-16C-OW	1"	1"	3.18

Learn more about related Evans Products

EVANS COMPONENTS | Evans PLT Series Presslok® Stainless Tube Fittings/Valves Tube Size Range: 1/2" thru 4"



PRESSLOK® GO/NO-GO GAUGES

If Presslok® Go/No-Go Gauge slips over pressed section of fitting, press is acceptable. If gauge does not slip over pressed section, press is unacceptable.



EVANS COMPONENTS | Evans Ball Valves PW "Industrial" Series



PW Series

- Full Port Design
- 1/4" - 6" Size Range
- Integrated Valve Assemblies
- Spool Manifolds up to 24' (7m) Lengths
- One-piece ANSI 150lb Flange Optional
- 100% Pressure Tested



EVANS COMPONENTS | Evans SG-30 Series 3 pc 304L Mini Ball Valves



Features

- CROS Cleaned
- Helium leak rated to 1 X 10⁻⁷ ascc/sec
- Economical one piece hex body design
- Compact, comes standard with butterfly handle
- Locking lever handle, optional
- Easy to operate, low torque



www.evanscomponents.com

7606 SW Bridgeport Road
Portland, Oregon 97224

Office 971.249.1600

Fax 971.249.1601